

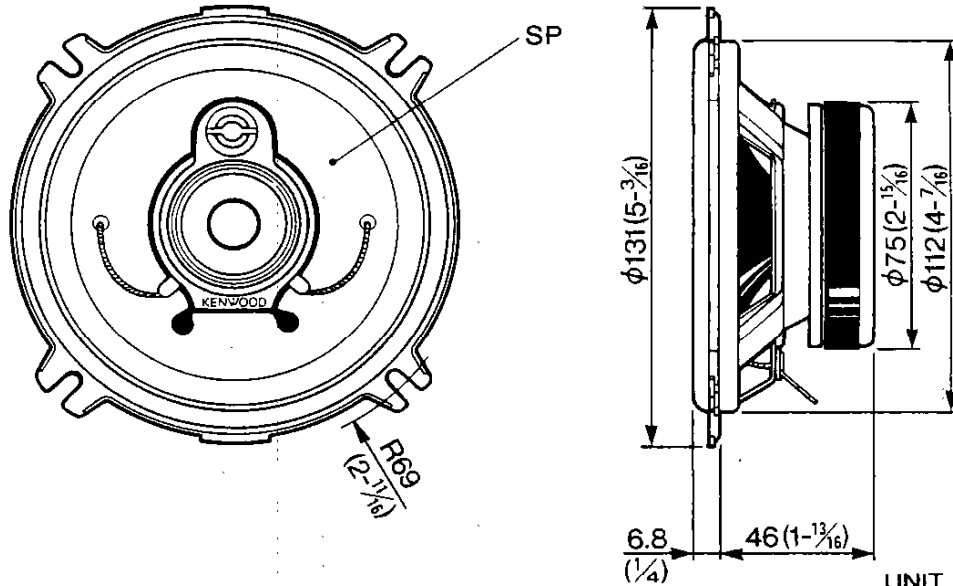
KFC-1334C

SERVICE MANUAL

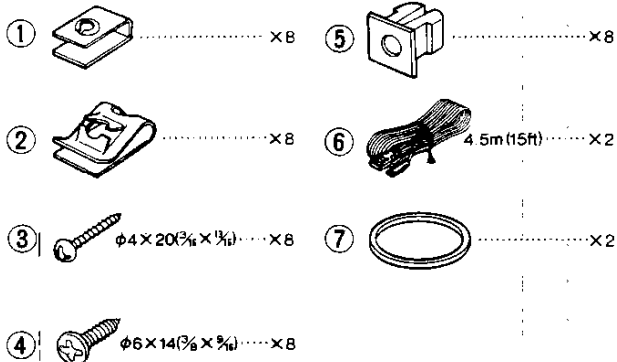
KENWOOD

© 1993-10 PRINTED IN JAPAN
B51-6657-00(B) 1650

EXTERNAL VIEW



PARTS INCLUDED



SPECIFICATIONS

Speakers

Woofer	127mm(5in) P.P. Cone Type 180g(6.4oz) Magnet
Mid-Range	40mm(1-9/16in) Water Resistant Cone Type
Tweeter	9mm(3/8in) Dome Type
Peak Power	80 Watts
Frequency Response	50Hz~21,000Hz
Sensitivity	90 dB/W at 1m
Impedance	4 Ohms
Net Weight	1,160g(2.6lb)/Pair

KENWOOD follows a policy of continuous advancements in development.

For this reason specification may be

PARTS LIST

* New Parts

Parts without Parts No. are not supplied.

Les articles non mentionnes dans le Parts No. ne sont pas fournis.

Telle ohne Parts No. werden nicht geliefert.

Ref No.	New Parts	Parts No.	Description
①~⑤	*	N99-1256-08	SCREW SET
⑥		E30-5135-08	CORD SET
⑦		J19-3888-08	GASKET
SP	*	T15-0265-08	SPEAKER

KENWOOD CORPORATION

Atsuta-ku, 2-5, 1-chome Shibuya, Shibuya-ku, Tokyo 150, Japan

KENWOOD SERVICE CORPORATION
P.O. BOX 22745, 2201 East Dominguez St., Long Beach, CA 90801-5745, U.S.A.

KENWOOD ELECTRONICS CANADA INC.
6070 Kestrel Road, Mississauga, Ontario, Canada L5T 1S8

KENWOOD ELECTRONICS LATIN AMERICA S.A.
P.O. BOX 55-2791, Piso 6 Plaza Chase, Ct. 47 y Aquilino de la Guardia, Panama, Republic of Panama

TRIO-KENWOOD U.K. LIMITED
Kenwood House, Dwight Road, Watford, Herts, WD1 8EB, United Kingdom

KENWOOD ELECTRONICS BENELUX N.V.
Mechelsesteenweg 418 B-1930 Zaventem, Belgium

KENWOOD ELECTRONICS DEUTSCHLAND GMBH
Rembrucker Str. 15, 63150 Heusenstamm, Germany

TRIO-KENWOOD FRANCE S.A.
13 Boulevard Ney, 75018 Paris, France

KENWOOD ELECTRONICS ITALIA S.p.A.
Via G. Sirtori, 7/9 20129 Milano, Italy

KENWOOD ESPANA S.A.
Bolviva, 239-08020 Barcelona, Spain

KENWOOD ELECTRONICS AUSTRALIA PTY. LTD. (ACN 001 499 074)
PO BOX 504, 8 Figtree Drive, Australia Centre, Homebush, N.S.W. 2140, Australia

KENWOOD & LEE ELECTRONICS, LTD.
Unit 37/12-3724, Level 37 Tower 1, Metroplaza, 223 Hing Fong Road,

Kwai Fong N.T. Hong Kong
KENWOOD ELECTRONICS SINGAPORE PTE LTD

No. 1 Genting Lane #07-00, Singapore 1334